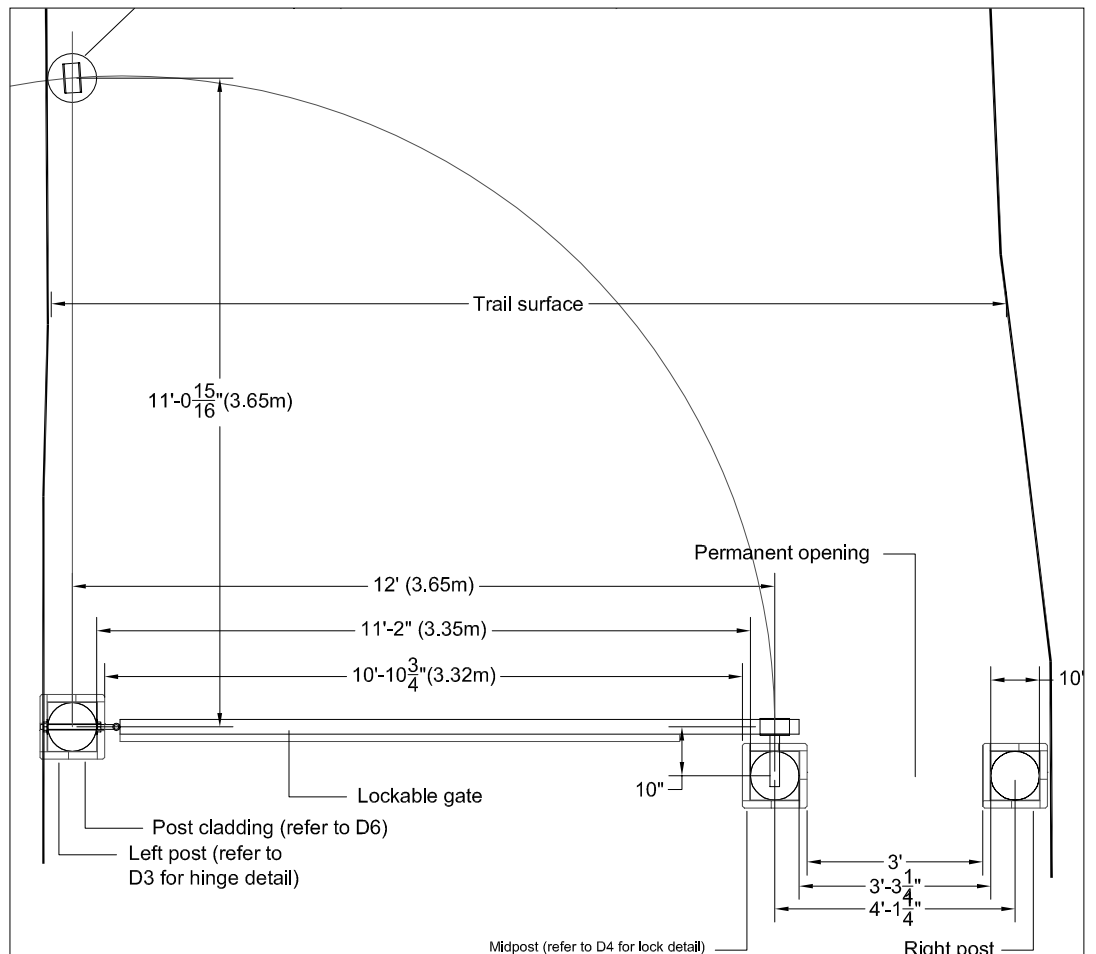


Trail Barrier Details

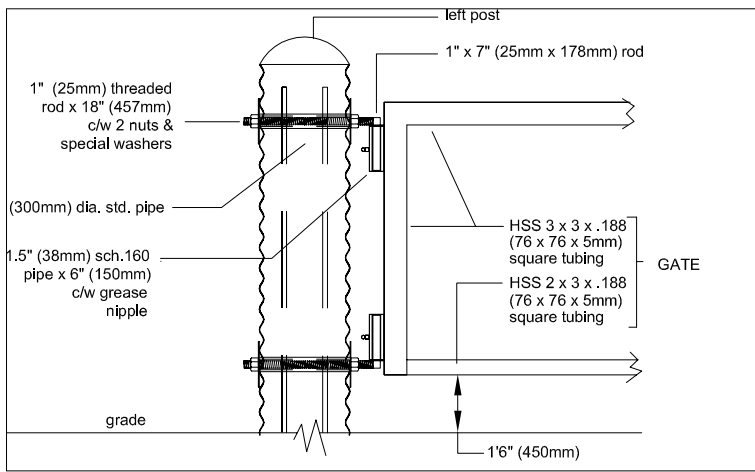
no scale

General note:

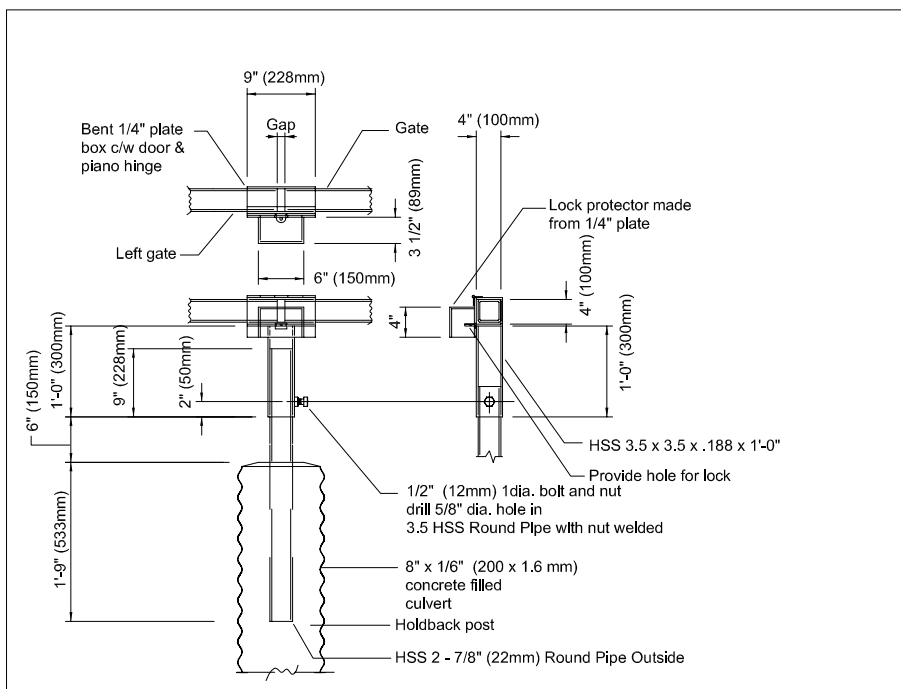
These details are representative of the access control gates along the Elora-Cataract Trailway, the Paris Cambridge Trailway and other Grand River Conservation Authority (GRCA) trails. Details were provided by the GRCA. They have been selected as an example of a successful field-tested access control system.



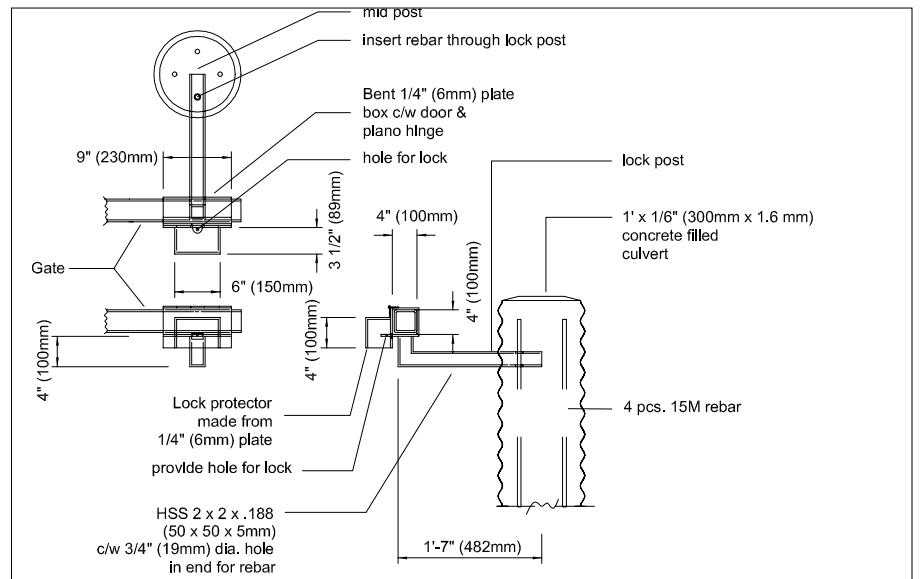
D1: GATE LAYOUT PLAN



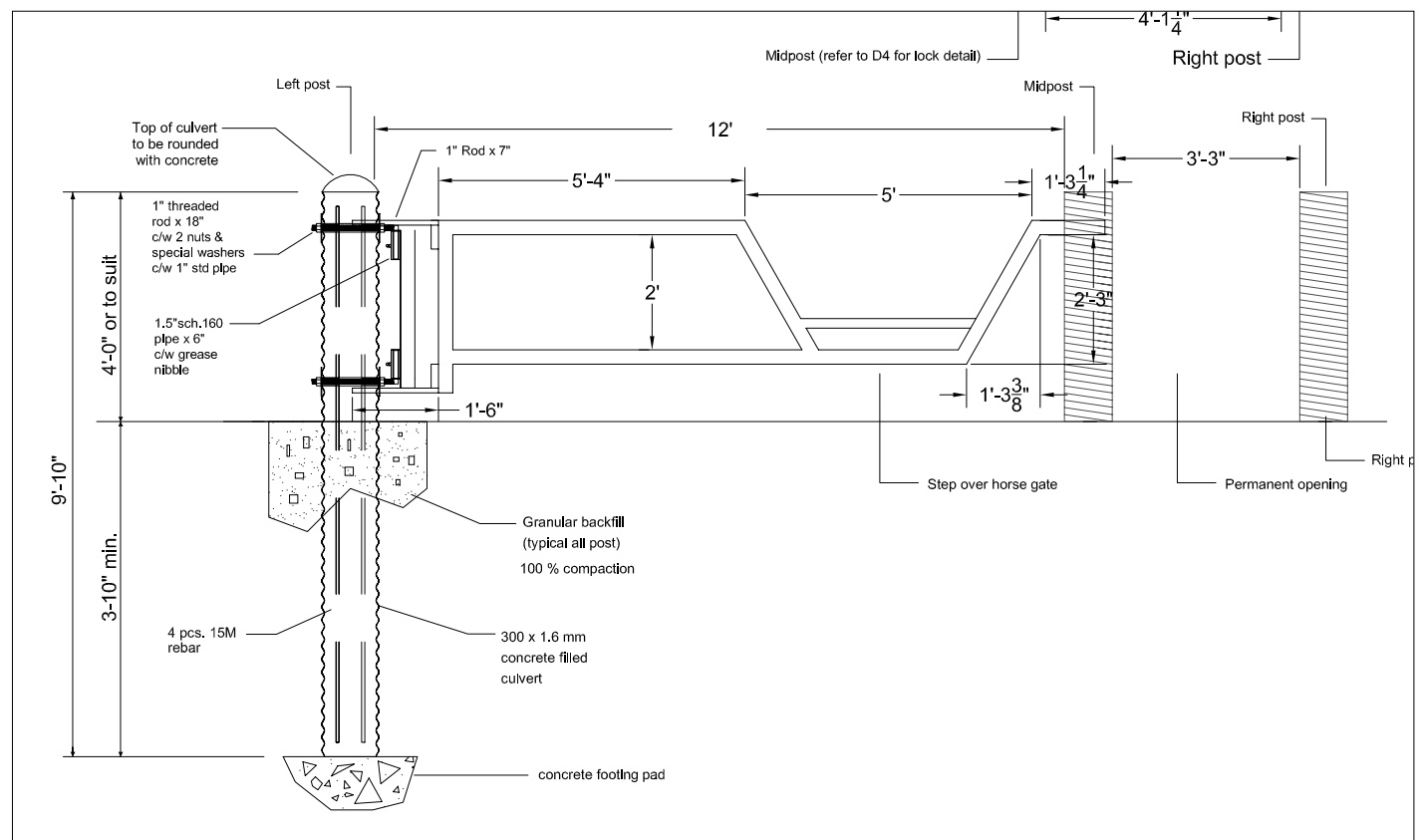
D3: GATE HINGE DETAIL



D5: GATE HOLDBACK DETAIL



D4: GATE LOCK DETAIL



D2: GATE ELEVATION

FILE: G0698\GRAPHICS\FIGURE3-8.dwg

Figure 3.8
Trail Barrier Details