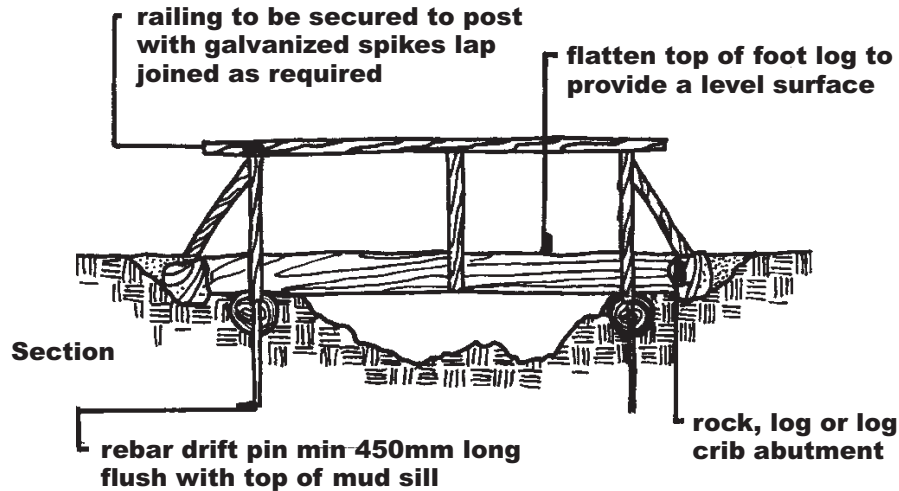


# Low Profile Bridges

n.t.s.

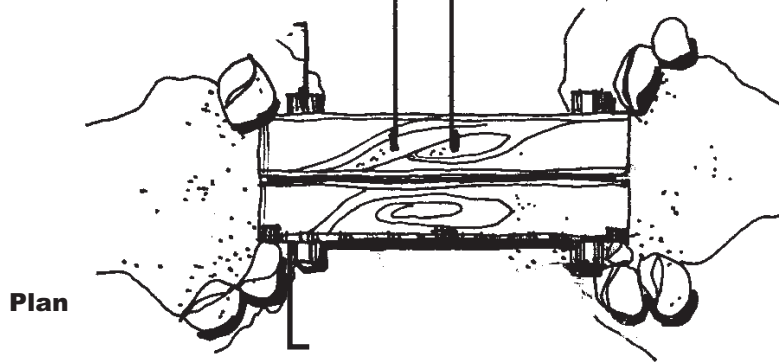
## Foot Log Bridge (not to scale)



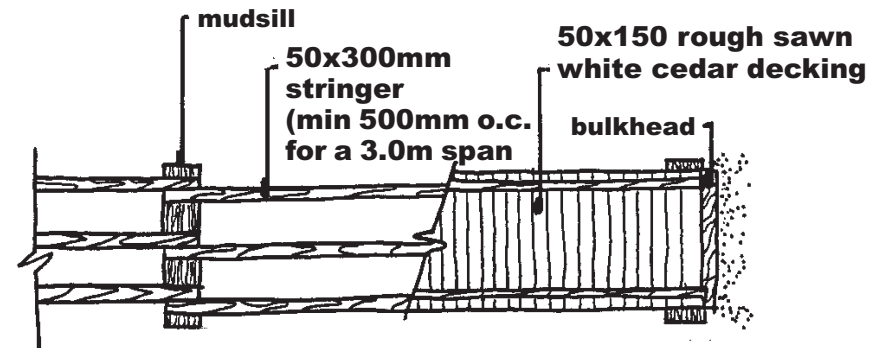
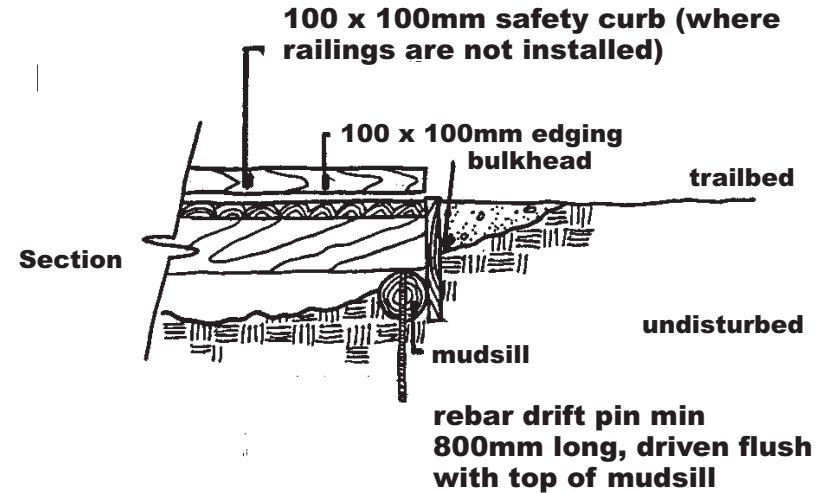
(optional) provide score lines in tread surface at right angles of the foot log for improved traction

min. width of footlog 300mm

- if more than one log is used, trim inside edges of logs to achieve a tight fit between logs (max. gap 12mm)



## Foot Bridge (not to scale)



Note: if height of bridge decking is greater than 600mm above surrounding grade, railings should be installed.

IL-MULTIUSE.CDR